

MEASUREMENT AND CONTROLS



Measurement and Controls

For the use of measuring and control devices in glass installations, Soffieria Sestese has selected equipment that can be combined without any problems with borosilicate glass 3.3 parts.

A set of well tested instruments have been selected for the detection and measurement of the parameters and more precisely:



Temperature

- Thermoresistances probe PT100
- Digital thermometers with display
- Thermometers with sensible bulb

Pressure

- Pressure transmitters
- Diaphragm pressure gauges

pH

- Electronic pHmeters

Flow rate

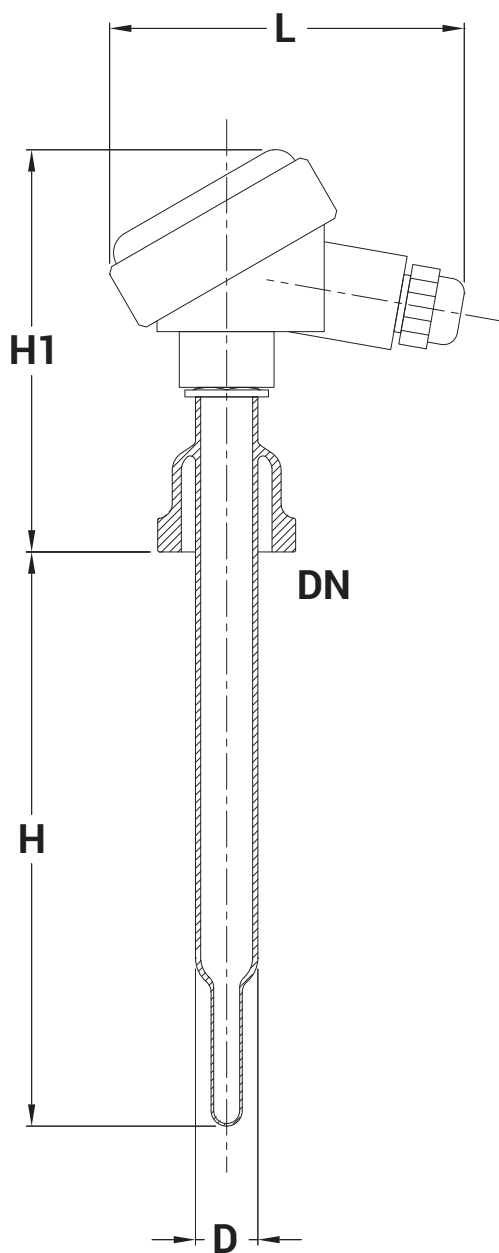
- Glass flowmeters

Monitoring and control board

- Pneumatic control board
- Electro/pneumatic control board
- Electrical control board
- Electrical control board with PLC

Soffieria Sestese may alter detail specifications at its discretion and without notice, in line with its policy of continuous development.

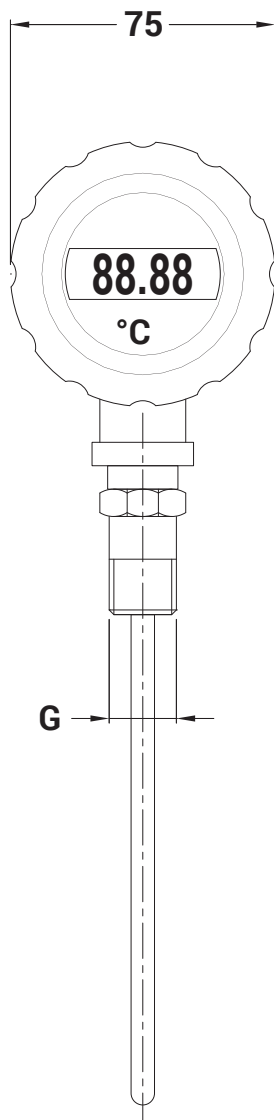
Thermoresistances probe PT100 (2G ATEX)



DN	H	H1	L	D	CODE	CODE
					Without transmitter	With transmitter
25	100	140	110	22	SWID025/100/3	SWIDT025/100/3
25	150	140	110	22	SWID025/150/3	SWIDT025/150/3
25	200	140	110	22	SWID025/200/3	SWIDT025/200/3
25	300	140	110	22	SWID025/300/3	SWIDT025/300/3
40	200	140	110	22	SWID040/200/3	SWIDT040/200/3
40	300	140	110	22	SWID040/300/3	SWIDT040/300/3
40	500	140	110	22	SWID040/500/3	SWIDT040/500/3



Digital thermoresistances PT100 (2G ATEX)



RANGE (°C)	ACCURACY	BATTERY POWERED	DISPLAY	CONNECTION	CODE
-100 + 800	± 0.2 °C ± 0.1 % of reading	3.6 V Lithium AA replaceable (battery alarm via display)	4 digit LCD	G ½" AISI 316	STGT4000

Shank length on request



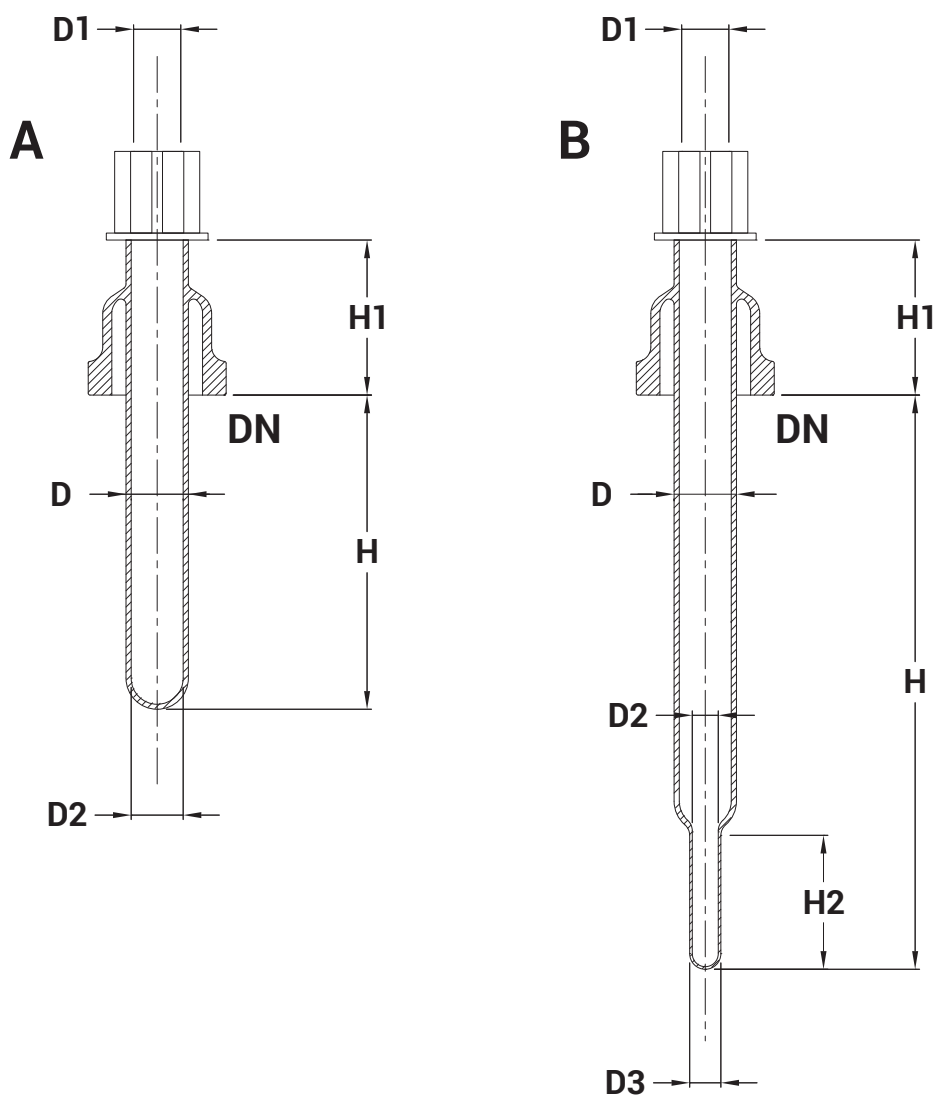
Thermometers with sensible bulb



DIAL SIZE (mm)	RANGE (°C)	ACCURACY	CAPILLARY LENGTH	BODY	CODE
100	-20 / +150	± 1% v.F.S.	2000 mm	AISI 304	TERM100-BULB09



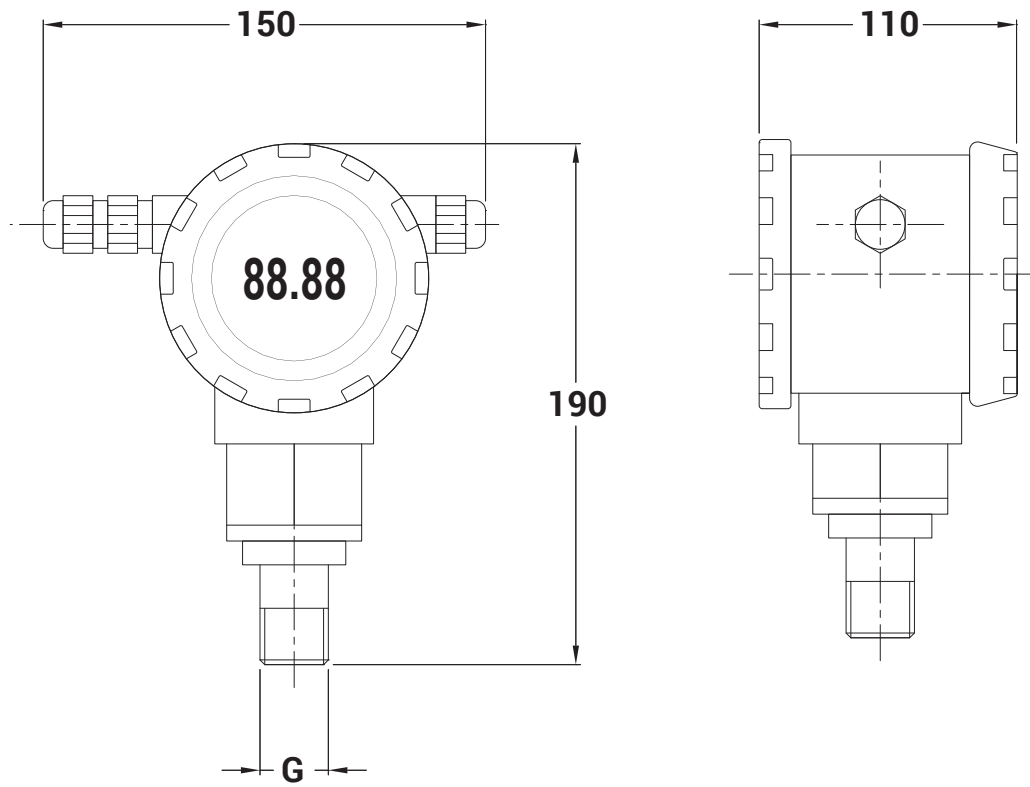
Thermometer pockets



DN	H	H1	H2	D	D1	D2	D3	TYPE	CODE
25	100	105	-	20	10	16	-	A	STPG25/100/3
25	150	105	-	20	10	16	-	A	STPG25/150/3
25	200	105	-	20	10	16	-	A	STPG25/200/3
25	300	105	-	20	10	16	-	A	STPG25/300/3
40	200	150	150	28	10	16	20	B	STPG40/200/3
40	300	150	150	28	10	16	20	B	STPG40/300/3
40	500	150	150	28	10	16	20	B	STPG40/500/3
40	650	150	150	28	10	16	20	B	STPG40/650/3
40	850	150	150	28	10	16	20	B	STPG40/850/3



Digital pressure transmitters



RANGE (bar abs)	ACCURACY	PRESSURE CONNECTION	OUTPUT	CODE
-1 ÷ 10	± 0.075% v.F.S.	G ½" in AISI 316	4 ÷ 20 mA	SPGT4000



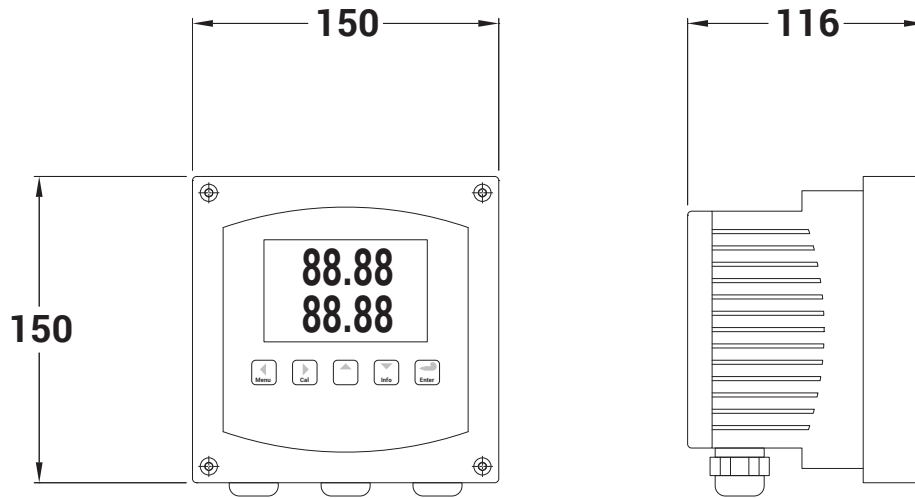
Diaphragm pressure gauges



DIAL SIZE Ø (mm)	RANGE (bar)	ACCURACY	PRESSURE CONNECTION	BODY	DIAPHRAGM	CODE
100	-1 / 0 / +1.6	± 2% v.F.S.	G ½" in AISI 316	AISI 304	PTFE	SPGL6/100
63	-1 / 0 / +1.6	± 2% v.F.S.	G ½" in AISI 316	AISI 304	PTFE	SPGL6/63



Digital pHmeters



RANGE pH, ORP (mV)	ACCURACY	INLET FOR PROBE TEMPERATURE	OUTLET	CODE
-1500 ÷ 1500	0.01 pH; 1 mV	Pt 1000	4 ÷ 20 mA	SPHM/L

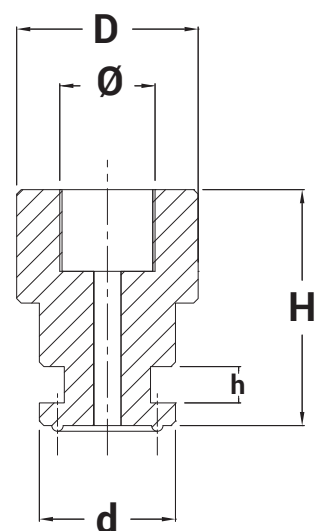
pH meter supplied with pH probe complete of temperature probe and certificate



PTFE connectors for instrument

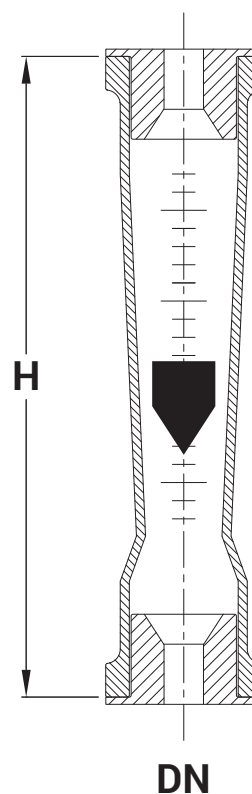
DN	D	D	Ø	H	H	CODE
15	Ø 40	Ø 30	Gj 1/4"	52	8	SRPT015/14
15	Ø 40	Ø 30	Gj 3/8"	52	8	SRPT015/38
15	Ø 40	Ø 30	Gj 1/2"	52	8	SRPT015/12
25	Ø 40	Ø 30	Gj 1/4"	52	8	SRPT025/14
25	Ø 40	Ø 30	Gj 3/8"	52	8	SRPT025/38
25	Ø 40	Ø 30	Gj 1/2"	52	8	SRPT025/12

Complete with O-ring gasket and counterflange with insert



Glass flowmeters

DN	H	AIR (Nm ³ /h) at 1 bar abs and 20 °C	WATER (L/h) 20 °C	CODE
25	350	0.010 ÷ 0.18	0.2 ÷ 4.0	SFML25/0004/3
25	350	0.020 ÷ 0.4	0.5 ÷ 10	SFML25/0010/3
25	350	0.1 ÷ 1.6	2.0 ÷ 40	SFML25/0040/3
25	350	0.2 ÷ 2.4	4.0 ÷ 63	SFML25/0063/3
25	350	0.6 ÷ 6.3	15 ÷ 160	SFML25/0160/3
25	350	1.6 ÷ 16	40 ÷ 400	SFML25/0400/3
40	350	2.5 ÷ 25	60 ÷ 630	SFML40/0630/3
40	350	4.0 ÷ 40	100 ÷ 1000	SFML40/1000/3
50	350	2.5 ÷ 25	60 ÷ 630	SFML50/0630/3
50	350	4.0 ÷ 40	100 ÷ 1000	SFML50/1000/3
80	350	6.3 ÷ 63	160 ÷ 1600	SFML80/1600/3
80	350	10 ÷ 100	250 ÷ 2500	SFML80/2500/3
80	350	16 ÷ 160	400 ÷ 4000	SFML80/4000/3
80	350	25 ÷ 250	630 ÷ 6300	SFML80/6300/3



Monitoring and control electrical boards

Compatibly with the provision of borosilicate glass 3.3 and pilot plants, Soffieria Sestese is able to provide pneumatically or electro-pneumatically control boards operated to control reflux ratio in distillation columns.

Electrical control boards for the monitoring and the control of the process parameters provided on request with P.L.C. unit.90° Hose connectors



